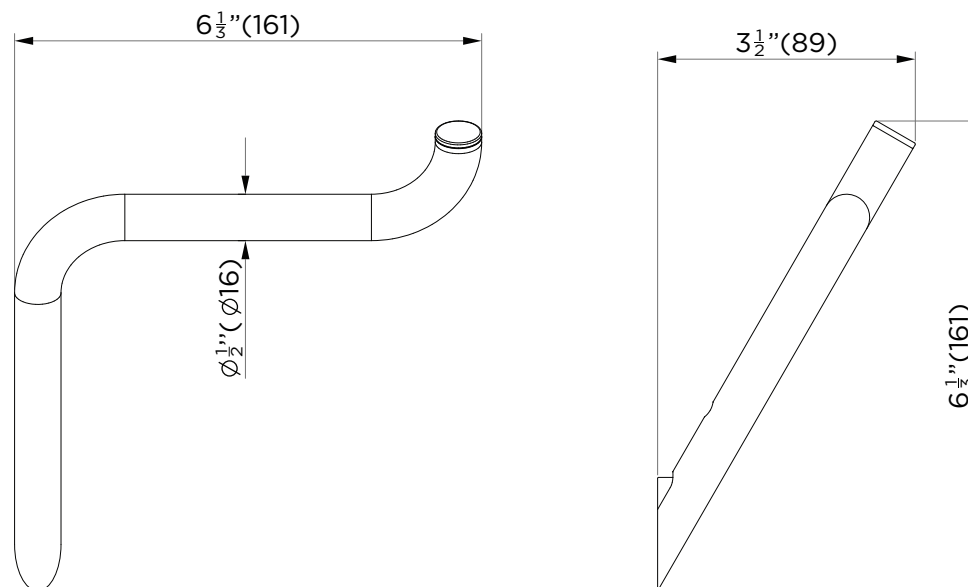


SPECIFICATIONS / TECHNICAL DATA

TISSUE ROLL HOLDER



FRONT VIEW

SIDE VIEW

ATTENTION! Dimensions may vary by up to 3/8". It is highly recommended to pull all dimensions of actual model for installation and measuring purposes.

MODEL# AC4TH